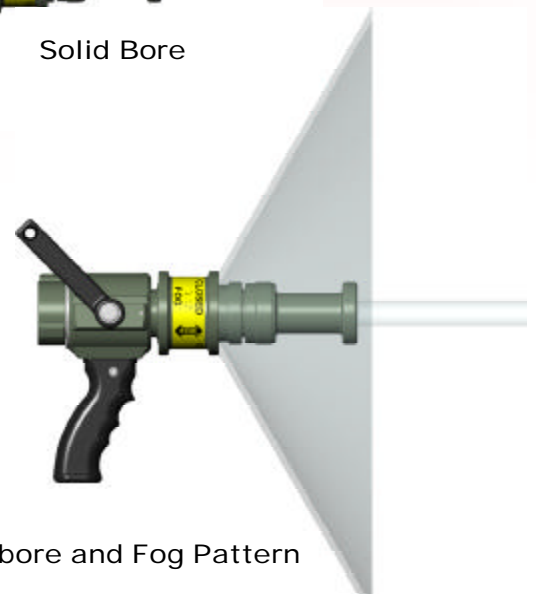
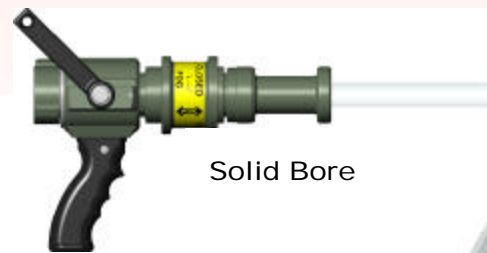


From 80 years ago...



“ You Like the Solid Bore Reach and Penetration, but you also have a need for Protection with Fog Pattern”

...today the COMBIPOK?
the modern solution for
a old problem



COMBIPOK? Solid bore and Fog Pattern