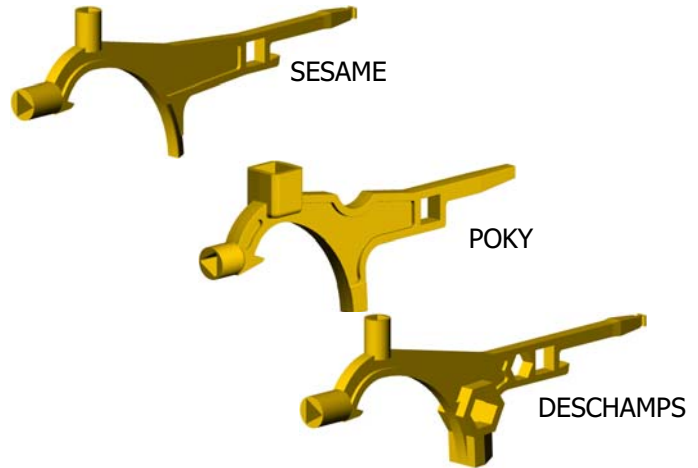


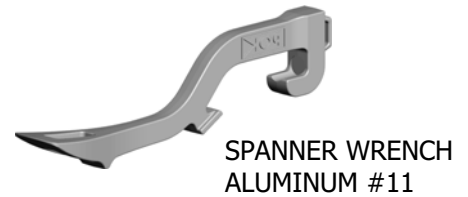


SPANNER and HYDRANT WRENCHES

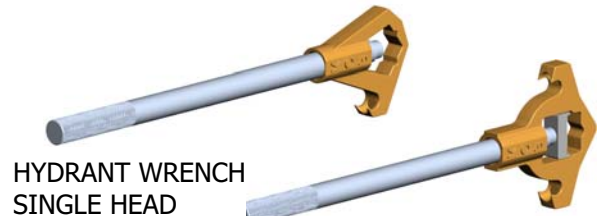
Code	Description
2229	8 multi-function spanner wrench spark proof for up to 100mm / 4.0" - PARIS FD style
2477	8 multi-function spanner wrench spark proof for up to 100mm / 4.0" - improved PARIS style
2438	11 multi-function spanner wrench spark proof for up to 100mm / 4.0"
1239	Belt clip for above style



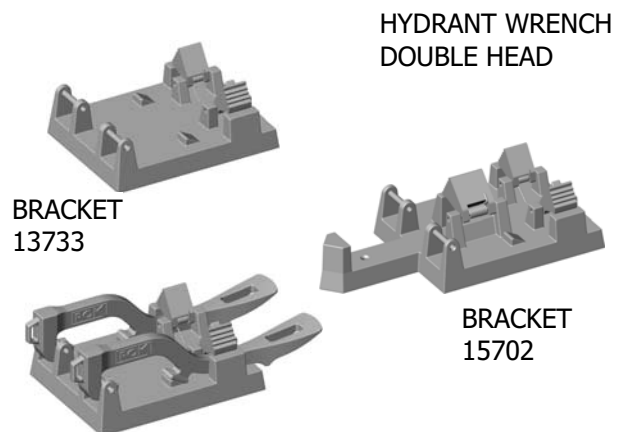
Code	Description
13732	Spanner wrench in aluminum #11 for up to 100 mm / 4.0"



Code	Description
15661	Adjustable hydrant wrench with single head
15656	Adjustable hydrant wrench with double head



Code	Description
13733	Bracket only for (2) spanner wrench 13732
15702	Bracket only for (2) spanner wrench 13732 and (1) hydrant wrench 15661 or 15656



Code	Description
13731	Bracket and (2) spanner wrench 13732
15726	Bracket and (2) spanner wrench 13732 and (1) hydrant wrench 15661 single head
15727	Bracket and (2) spanner wrench 13732 and (1) hydrant wrench 15656 double head

