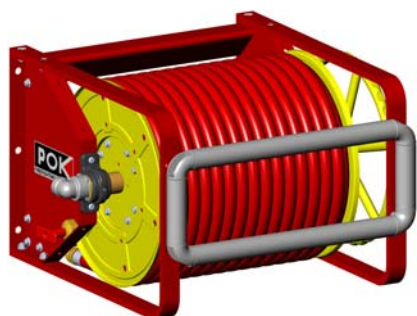




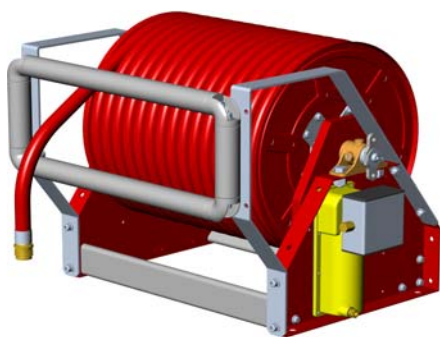
Horizontal Mount Hose Reel DN 25 40 M or 80 M with hose guide Inlet 1.0" BSP

Description	Code
Complete with semi rigid hose DN 25 - 1.0" / 40 M - 132 ft	22259
Same without hose	22156
Complete with semi rigid hose DN 25 - 1.0" / 80 M - 264 ft	22257
Same without hose	22154



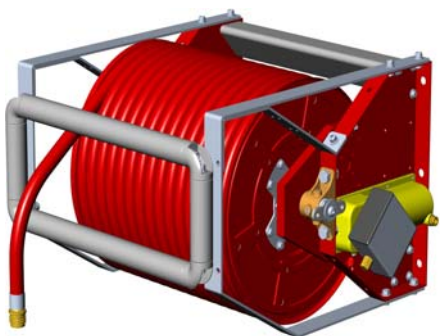
Vertical Mount Hose Reel DN 25 40 M or 80 M with hose guide Inlet 1.0" BSP

Description	Code
Complete with semi rigid hose DN 25 - 1.0" / 40 M - 132 ft	22260
Same without hose	22157
Complete with semi rigid hose DN 25 - 1.0" / 80 M - 264 ft	22258
Same without hose	22155



Electric Horizontal Mount Hose Reel DN 25 40 M or 80 M with hose guide Inlet 1.0" BSP

Description	Code
Complete with semi rigid hose DN 25 - 1.0" / 40 M - 132 ft 65.1 Kg	24723
Same without hose 48.3 Kg	25088
Complete with semi rigid hose DN 25 - 1.0" / 80 M - 264 ft 84.6 Kg	24721
Same without hose 51.1 Kg	25086



Electric Vertical Mount Hose Reel DN 25 40 M or 80 M with hose guide Inlet 1.0" BSP

Description	Code
Complete with semi rigid hose DN 25 - 1.0" / 40 M - 132 ft 68.8 Kg	24722
Same without hose 52.0 Kg	25087
Complete with semi rigid hose DN 25 - 1.0" / 80 M - 264 ft 88.2 Kg	24720
Same without hose 57.7 Kg	25085