

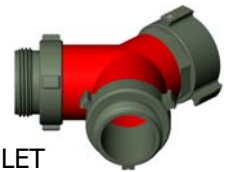
The wyes are made primarily of aluminum alloy in a heat - treated, fire engine red finish. This light weight and smaller design minimizes friction loss by up to three times.

2-Way Wyes Inlet Threaded and Storz

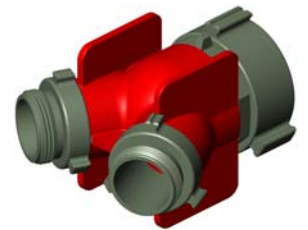
Inlet	Outlets	Code
Female 1.5" swivel	Male 1.0"	13756
Female 1.5" swivel	Male 1.5"	9911
Female 2.5" swivel	Male 1.5"	9912
Female 2.5" swivel	Male 2.5"	9913
Female 3.0" swivel	Male 2.5"	9914
Female 4.0" swivel	Male 2.5"	9915
Storz 4.0" with lock	Male 2.5"	9916
Storz 5.0" with lock	Male 2.5"	9917
Storz 6.0" with lock	Male 3.0"	9920

2 Way Wyes with Storz Coupling

Inlet	Outlets	Code
Storz DN 38 / 1.5"	2 X Storz DN 38 / 1.5"	7985
Storz DN 65 / 2.5"	2 X Storz DN 38 / 1.5"	7986
Storz DN 65 / 2.5"	2 X Storz DN 65 / 2.5"	7987
Storz DN 100 / 4.0"	2 X Storz DN 65 / 2.5"	7988
Storz DN 100 / 4.0"	2 X Storz DN 100 / 4.0"	7989
Storz DN 150 / 6.0"	2 X Storz DN 100 / 4.0"	7990
Storz DN 150 / 6.0"	2 X Storz DN 150 / 6.0"	9158
Storz DN 100 / 4.0"	2 X Storz DN 100 / 4.0" with lock	9921
Storz DN 125 / 5.0"	2 X Storz DN 100 / 4.0" with lock	9922
Storz DN 150 / 6.0"	2 X Storz DN 100 / 4.0" with lock	9923
Storz DN 150 / 6.0"	2 X Storz DN 125 / 5.0" with lock	9924
Storz DN 150 / 6.0"	2 X Storz DN 150 / 6.0" with lock	13612



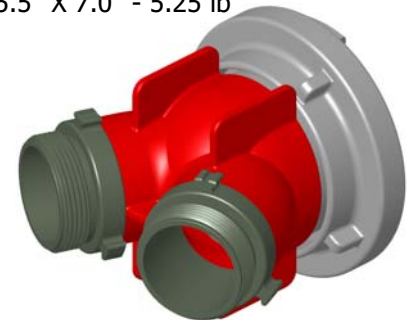
1.5" FEMALE INLET
X (2) 1.5" MALE OUTLETS
2.5" X 5.5" - 2.0 lb



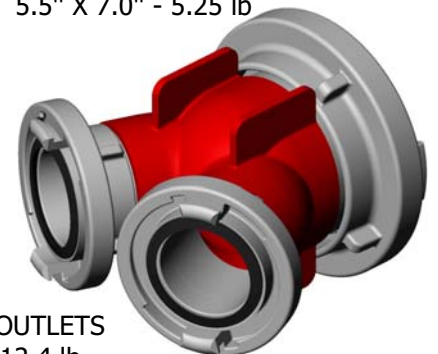
2.5" FEMALE INLET
X (2) 1.5" MALE OUTLETS
4.5" X 6.0" - 2.38 lb



4.0" FEMALE INLET
X (2) 2.5" MALE OUTLETS
5.5" X 7.0" - 5.25 lb



STORZ INLET
X (2) 2.5" OUTLETS
5.5" X 7.0" - 5.25 lb



STORZ INLET
X (2) STORZ OUTLETS
15.5" X 12" - 12.4 lb