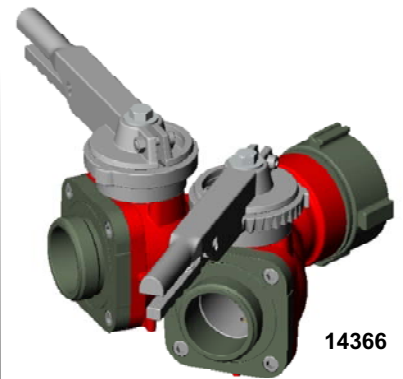


Code	Description	H	W	L	Weight
9898	BIPOK 4.0" Storz inlet X (2) 2.5" M outlets	11.0"	7.5"	8.5"	11.1 lb
9899	BIPOK 5.0" Storz inlet X (2) 2.5" M outlets	11.0"	8.0"	6.5"	12.7 lb
9080	BIPOK 1.5" Storz inlet X (2) 1.0" Storz outlets	8.5"	5.0"	6.5"	4.2 lb
9081	BIPOK 1.5" Storz inlet X (2) 1.5" Storz outlets	9.2"	5.0"	6.5"	4.8 lb
9082	BIPOK 2.5" Storz inlet X (2) 1.5" Storz outlets	9.2"	5.0"	6.5"	6.7 lb
9083	BIPOK 2.5" Storz inlet X (2) 2.5" Storz outlets	9.0"	7.0"	11.0"	7.5 lb
9084	BIPOK 4.0" Storz inlet X (2) 2.5" Storz outlets	11.0"	7.5"	8.5"	11.2 lb
9085	BIPOK 5.0" Storz inlet X (2) 2.5" Storz outlets	11.0"	8.0"	9.0"	12.7 lb
9086	BIPOK 6.0" Storz inlet X (2) 2.5" Storz outlets	11.0"	8.5"	9.0"	14.3 lb
14635	BIPOK butterfly threaded 2.5" inlet X (2) 2.5" outlets	15.0"	8.5"	12.0"	15.7 lb
14366	BIPOK butterfly threaded 3.0" inlet X (2) 2.5" outlets	15.0"	8.5"	12.0"	17.5 lb
14367	BIPOK butterfly 2.5" Storz inlet X (2) 2.5" threaded outlets	15.0"	8.5"	12.0"	15.7 lb
14368	BIPOK butterfly 2.5" Storz inlet X (2) 2.5" Storz outlets	15.0"	8.5"	12.0"	15.7 lb
9903*	BIPOK butterfly 4.0" Storz inlet X (2) 4.0" Storz outlets	15.0"	12.0"	12.0"	19.4 lb
9904*	BIPOK butterfly 5.0" Storz inlet X (2) 5.0" Storz outlets	15.0"	14.0"	12.0"	20.2 lb
25020*	BIPOK butterfly 6.0" Storz inlet X (2) 6.0" Storz outlets	15.0"	14.5"	12.3"	26.3 lb



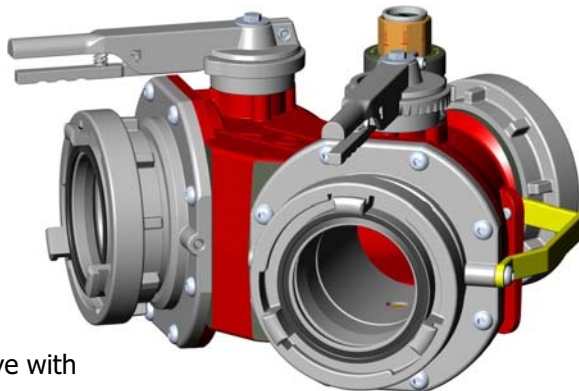
BIPOK
STORZ inlet and outlet



14366

BIPOK
Butterfly style

* Specify with gauge and/or relief valve.



BIPOK
2 way butterfly valve with
full 5.0" waterway



Repair Kit

Description	Code
BIPOK valve with 1.0" waterway	7863
BIPOK valve with 1.5" waterway	7864
BIPOK valve with 2.0" waterway	7865
BIPOK valve with 4.0" waterway	7866