



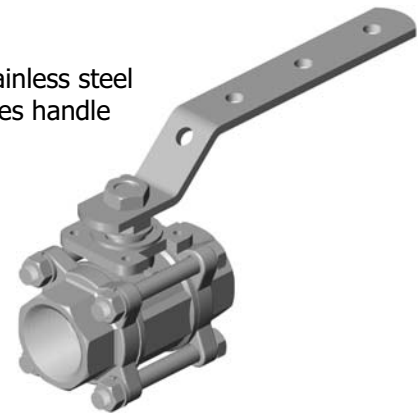
MONOPOK IN STAINLESS STEEL

- 100% STAINLESS STEEL
- 6 BODY SIZES FROM 1.0" TO 4.0"
- FLOATING BALL VALVE
- DOUBLE TEFLON SEAL
- 4 CONTROL HANDLES
- 30°, 45° AND 90° ELBOWS
- 120 DIFFERENT END CAPS
- 10 YEAR WARRANTY

Monopok in stainless steel with standard handle



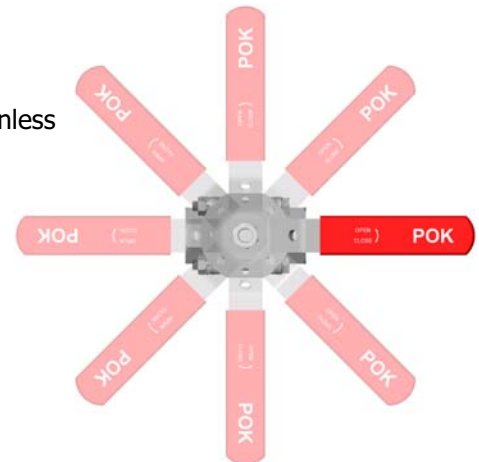
Monopok in stainless steel with 2 or 3 holes handle



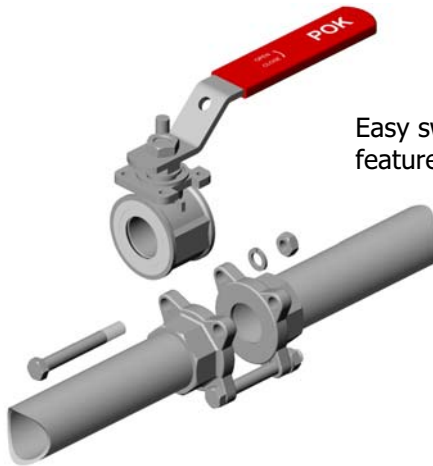
Monopok in stainless steel with ball handle



Monopok in stainless steel 8 positions



Code	Description
MPSS-10	MONOPOK complete 1.0" waterway, 1.0" inlet and outlet w/ standard handle - 2.5 lb
MPSS-15	MONOPOK complete 1.5" waterway, 1.5" inlet and outlet w/ standard handle - 5.2 lb
MPSS-20	MONOPOK complete 2.0" waterway, 2.0" inlet and outlet w/ standard handle - 8.2 lb
MPSS-25	MONOPOK complete 2.5" waterway, 2.5" inlet and outlet w/ standard handle - 17.7 lb
MPSS-30	MONOPOK complete 3.0" waterway, 3.0" inlet and outlet w/ standard handle - 27.1 lb
MPSS-40	MONOPOK complete 4.0" waterway, 4.0" inlet and outlet w/ standard handle - 46.9 lb



Easy swing-out feature for repair

Code	Description
SK-MPSS-10	Seal Kit for MONOPOK complete 1.0" waterway
SK-MPSS-15	Seal Kit for MONOPOK complete 1.5" waterway
SK-MPSS-20	Seal Kit for MONOPOK complete 2.0" waterway
SK-MPSS-25	Seal Kit for MONOPOK complete 2.5" waterway
SK-MPSS-30	Seal Kit for MONOPOK complete 3.0" waterway
SK-MPSS-40	Seal Kit for MONOPOK complete 4.0" waterway