



"MONOPOK" 1-WAY BALL VALVE

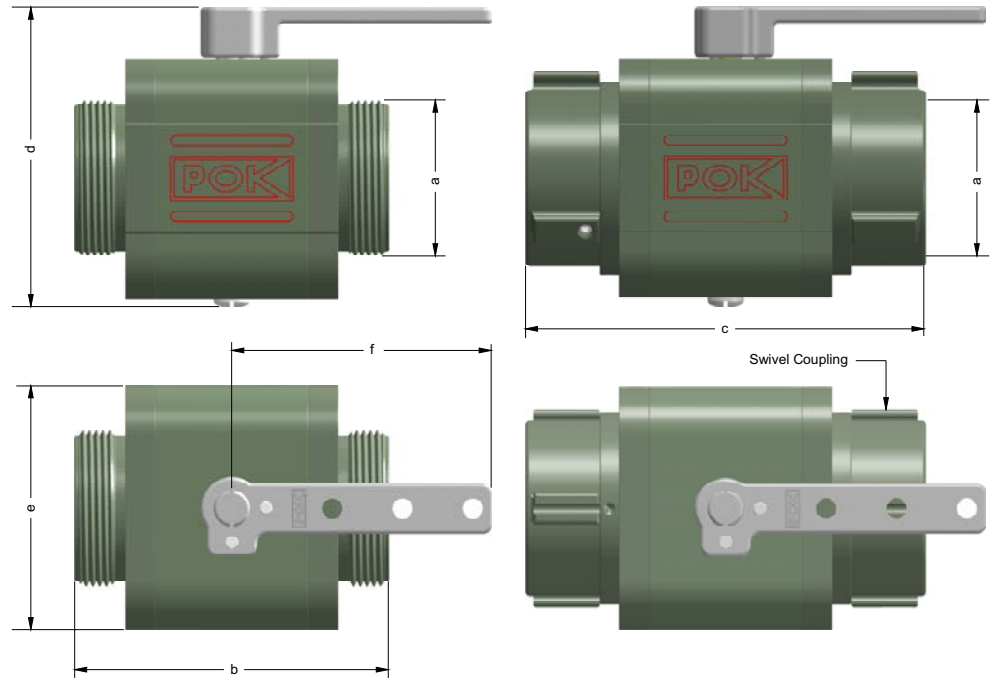
Anodized Aluminum and PTFE

MONOPOK valves can be used as suction or discharge ball valves. All **MONOPOK** valves are full flow valves and can be used inline or panel mounted with several end-cap options. Made of aluminum alloy and heat-treated with an anodized finish of 50 microns for years of dependable service. Other components are made of stainless steel and bronze.

MONOPOK features:

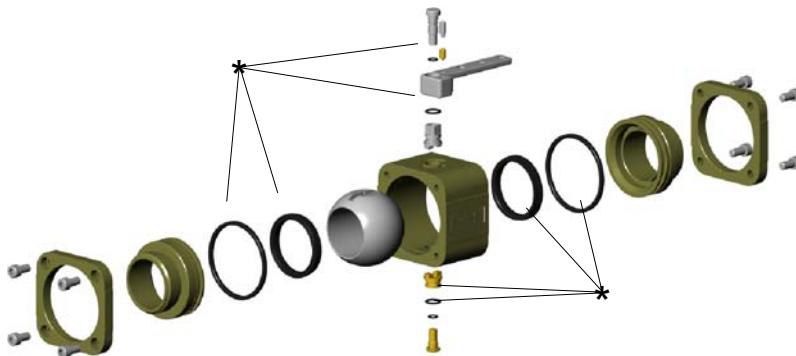
Anti-freeze assembly with double Teflon seat to improve efficiency, minimal friction loss, light weight, smaller dimensional design, four styles of ball valves, and seven shut-off handles. Each valve is tested to meet and or exceed the NFPA standard. Available in 1.0", 1.5", 2.0", 2.5", 3.0" Threaded, Storz and Instantaneous.

Dimensions with Control Handle



Dimensions in mm

Style	a	b	c	d	e	f
MP-10	1" BSP	99	130	104	74	90 to 150 depending on style
MP-15	1 1/2" BSP	110	145	116	83	
	2" BSP	120	156	116	83	
MP-20	2" BSP	135	176	136	102	
	2 1/2" BSP	147	191	136	102	
MP-25	2" BSP	150	200	150	122	
	2 1/2" BSP	154	200	150	122	
	3" BSP	154	217	150	122	



Repair Kit

Description	Code
Monopok MP-10	7859
Monopok MP-15	7860
Monopok MP-20	7861
Monopok MP-25	8350