



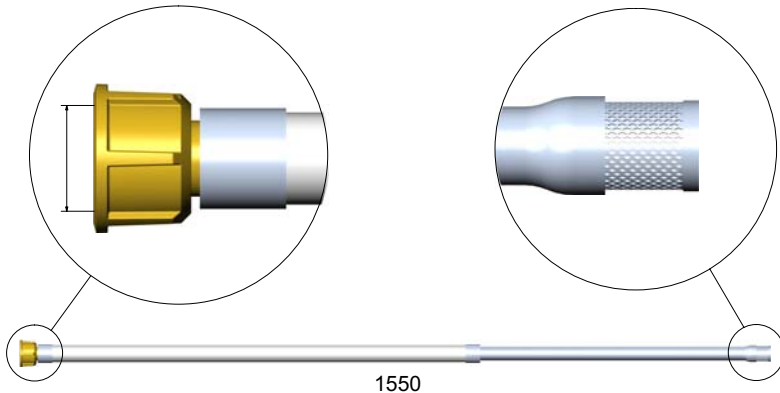
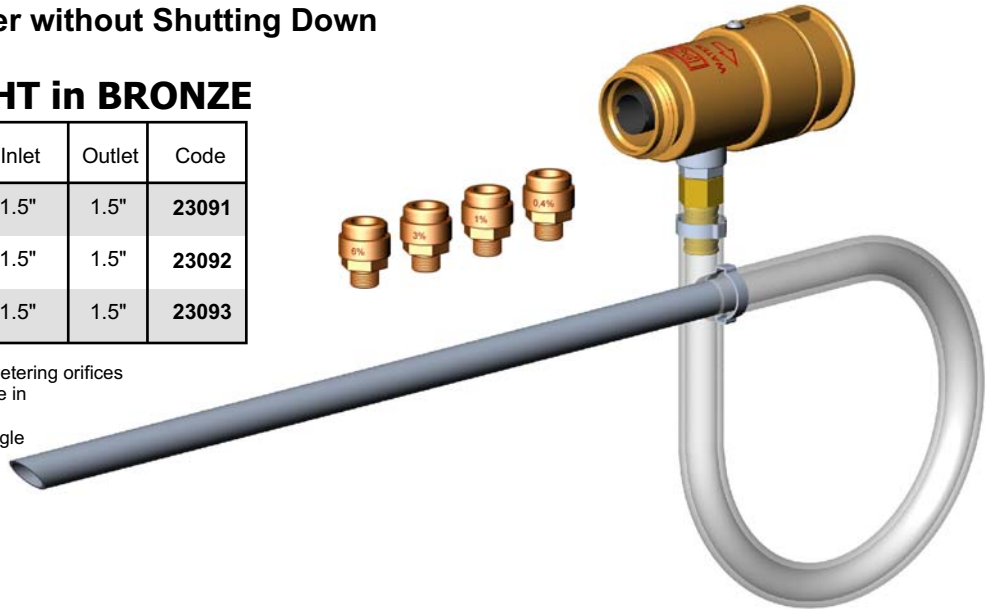
FOAM EDUCTORS ULTRA-LIGHT and ULTRA-FOAM in Bronze

Small Dimensional Design 6.25" X 3.0"
Stainless Steel Pick-up Tube
ULTRA-LIGHT with a By-Pass,
Changing from Foam to Water without Shutting Down

ULTRA-LIGHT in BRONZE

Description	Inlet	Outlet	Code
ULTRA-LIGHT 60 GPM (200 l/min) 0.4%, 1%, 3%, 6% - 6.4 lb	1.5"	1.5"	23091
ULTRA-LIGHT 95 GPM (300 l/min) 0.4%, 1%, 3% - 6.4 lb	1.5"	1.5"	23092
ULTRA-LIGHT 125 GPM (400 l/min) 0.4%, 1%, 3% - 6.4 lb	1.5"	1.5"	23093

NOTE: Each ULTRA-LIGHT comes complete with metering orifices and a pick-up tube. A 6% metering orifice is available in 95 & 125 GPM, please specify.
 An optional metering device is available in lieu of single metering orifices, see page 92 for more information



A special pick-up tube made in stainless steel and bronze, inlet strainer and coarse thread coupling for the pick-up connection on the Government Eductor.

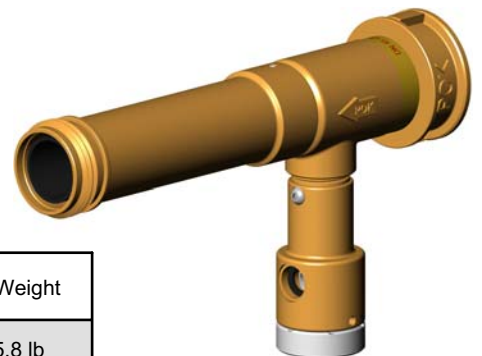


Already in service with the US Coast Guard, US Navy, Canadian Navy and the Italian Navy.

ULTRA-FOAM in BRONZE

US Coast Guard and NATO # 4210-21-891-1203

Manufactured in bronze with an inlet filter at the end of the pick-up tube. Metering available from 0.1% to 6%. Optional field conversion kit for GPM and bracket . Other GPM rating available.



Code	Description	GPM	Weight
21871	ULTRA-FOAM US Coast Guard 1.5" NPSH inlet and outlet	90	5.8 lb
21867	ULTRA-FOAM NATO 4210-21-891-1203 1.5" NPSH inlet and outlet	60	5.7 lb
21875	ULTRA-FOAM Italian Navy Approved M56-4 inlet and outlet	95	6.4 lb