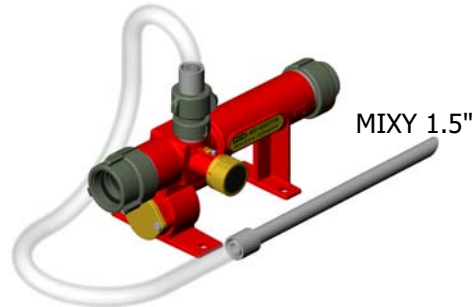


MIXY 1.5" and 2.5" with By-Pass and Metering Valve 0 to 6% Comes Complete with Pick-Up

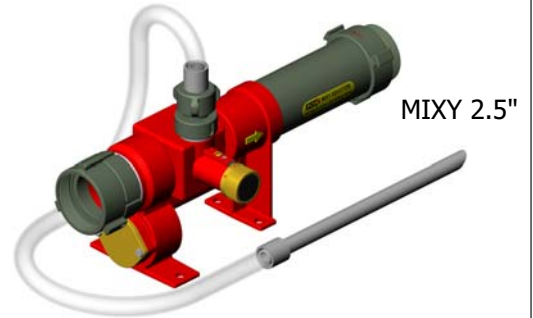
Flow	Inlet	Outlet	Code
150 l/min*	Female 1.5"	Male 1.5"	18746
225 l/min*	Female 1.5"	Male 1.5"	18426
400 l/min*	Female 1.5"	Male 1.5"	18747
800 l/min*	Female 1.5"	Male 1.5"	18748
60 GPM**	Female 1.5"	Male 1.5"	18749
95 GPM**	Female 1.5"	Male 1.5"	18750
125 GPM**	Female 1.5"	Male 1.5"	18751
150 GPM**	Female 2.5"	Male 2.5"	18752
200 GPM**	Female 2.5"	Male 2.5"	18753
250 GPM**	Female 2.5"	Male 2.5"	18754

* metering device setting: Off, 1%, 2%, 3%, 5% and 6%

** metering device setting :Off, 0.4%, 1%, 3% and 6%



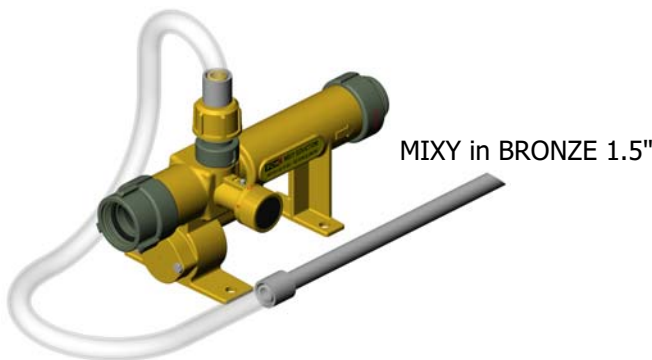
MIXY 1.5"



MIXY 2.5"

EDUCTOR in Bronze Compliant to DIN 14 384

Body manufactured in bronze with an inlet filter.
Metering valve 0 to 6% with by-pass.
Comes complete with a pick-up tube.



MIXY in BRONZE 1.5"

Style	Flow lpm or GPM	Inlet and outlet	Code
Z 2 R*	200 lpm	Storz 1.5"	18755
Z 2 R**	60 gpm	1.5" Female - Male	18764
Z 2 R*	200 lpm	BS 336	16083
Z 4 R*	400 lpm	Storz 2.5"	18758
Z 4 R**	95 gpm	1.5" Female -Male	18765
Z 4 R*	400 lpm	BS 336	16084
Z 8 R*	800 lpm	Storz 2.5"	18761
Z 8 R**	200 gpm	2.5" Female - Male	18766
Z 8 R*	800 lpm	BS 336	18763

* metering device setting: Off, 1%, 2%, 3%, 5% and 6%

** metering device setting :Off, 0.4%, 1%, 3% and 6%

Eductors/Mixer

With By-Pass and Metering Valve 0 to 6%
Comes Complete with Pick-Up

Flow lpm / GPM	Inlet and outlet	Code
1500 / 400	4, 5 or 6" threaded or Storz - please specify	7255
2000 / 530	4, 5 or 6" threaded or Storz - please specify	7256

EDUCTOR / MIXER

