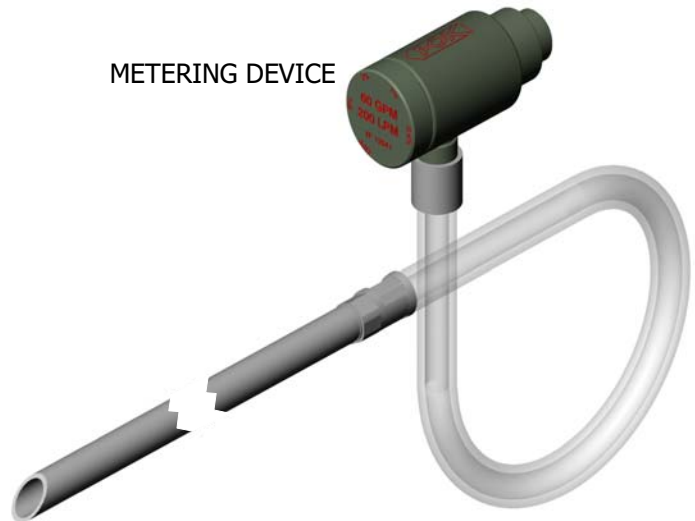


Optional Metering Device

| Description | Code |
|---|--------------|
| Metering device for 10 GPM (35 l/min) 0.4%, 1%, 3%, 6% | 13121 |
| Metering device for 20 GPM (75 l/min) 0.4%, 1%, 3%, 6% | 12639 |
| Metering device for 40 GPM (150 l/min) 0.4%, 1%, 3%, 6% | 12640 |
| Metering device for 60 GPM (200 l/min) 0.4%, 1%, 3%, 6% | 12641 |
| Metering device for 95 GPM (300 l/min) 0.4%, 1%, 3%, 6% | 12642 |
| Metering device for 125 GPM (400 l/min) 0.4%, 1%, 3%, 6% | 12643 |
| Metering device for 200 GPM (750 l/min) 0.4%, 1%, 3%, 6% | 13122 |
| Metering device for 250 GPM (900 l/min) 0.4%, 1%, 3%, 6% | 13123 |

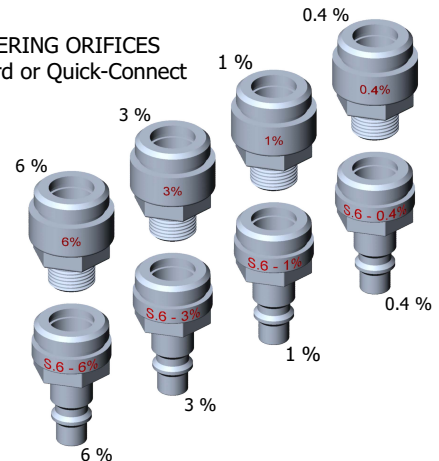
METERING DEVICE



Field Repair or Conversion Kit

| Description | Code |
|---------------------|--------------|
| 10 GPM - 35 l/min | 13126 |
| 20 GPM - 75 l/min | 13127 |
| 40 GPM - 150 l/min | 13128 |
| 60 GPM - 200 l/min | 13178 |
| 95 GPM - 300 l/min | 13179 |
| 125 GPM - 400 l/min | 13180 |

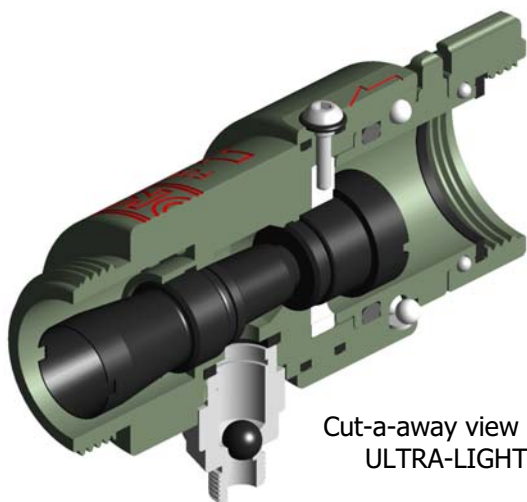
METERING ORIFICES
Standard or Quick-Connect



Bracket

| Description | Code |
|--|-------------|
| Stationary bracket in red epoxy finish | 7308 |

Field Conversion Kit
Converter - Diverter
for ULTRA-LIGHT and ULTRA-FOAM



Cut-a-way view of the
ULTRA-LIGHT

BRACKET

