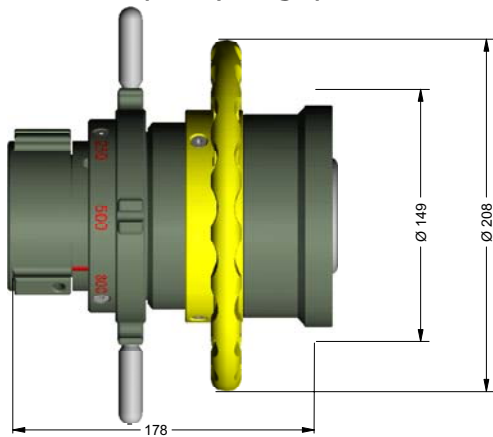


POK Master Stream monitor nozzles are extremely durable and lightweight and offer a durable, lightweight selectable gallonage with great features. Machined out of high-grade aluminum alloy with the trademarked NITUFF™ finish that gives 50 microns of PTFE impregnated anodized unlike the 20 microns of standard anodized or in Stainless Steel.

Available in several styles in a wide range of flow capacity. Your choice of spinning or cut teeth. Stream to wide fog and flush without shutting down. Available with threaded coupling. The standard control wheel is finished with high bright yellow with plenty of grip for ease of operation.



TURBOKADOR 3000

Code	Description
0186	TURBOKADOR 3000 with spinning teeth 200-500-800 GPM 2.5" inlet 11.0" X 8.0" - 11.4 lb
0285	TURBOKADOR 3000 with cut teeth 200-500-800 GPM 2.5" inlet 11.0" X 7.5" - 10.9 lb
15862	DEBIKA-INOX 3000 in stainless steel 200-500-800 GPM 2.5" inlet 10.4" X 8.0" - 13.6 lb
17482	SNAKE STUMPY electric nozzle with cut teeth 50-350 GPM 1.5" inlet 7.0" X 6.1" X 4.5" - 27.5 lb
19063	SNAKE STUMPY electric nozzle with cut teeth 350-1000 GPM 2.5" inlet 9.1" X 6.1" X 45.1" - 14.3 lb
15990	SNAKE LOFTY electric nozzle with cut teeth 500-2000 GPM 4.0" inlet 7.8" X 10.0" X 7.5" - 28.4 lb
20102	POKABRONZE 2000 525 GPM / 2000 LPM 2.5" inlet 6.5" x 8.7" - 9.6 lb



TURBOKADOR
with spinning teeth



TURBOKADOR
with cut teeth



SNAKE Electric 1.5"



DEBIKA-INOX
in Stainless Steel



SNAKE Electric 2.5"



SNAKE Electric 4.0"



POKABRONZE 2000