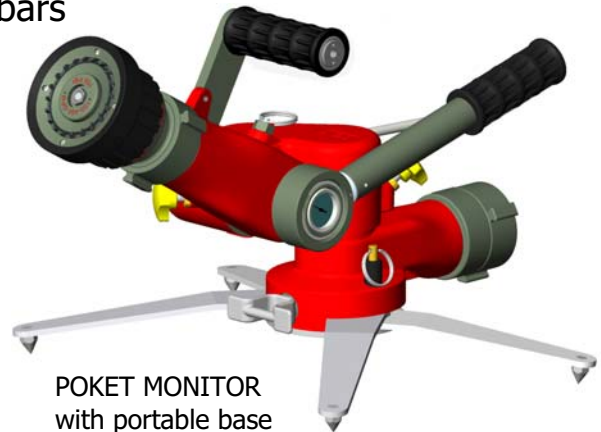




QUICK ATTACK PORTABLE MONITOR POKET

- Flow: 500 GPM @ 100 PSI - 2000 l/mn @ 7 bars
- Weight: 26.4 lb - 12 Kg
- Horizontal Range: Full 360°
- Vertical Range: 80°
- Optional Inlet Ball Shutoff Valve
- Carrying Handle
- Fold Away Titanium Legs with Carbide Tips
- Extremely Compact
- Double Swivel inlet
- Safety Anchorage Ring
- Pressure Gauge
- Vertical Safety Stop Pull Pin
- Vertical Travel Control Locking Handle
- Red Epoxy Finish
- Made Primarily of Aluminum

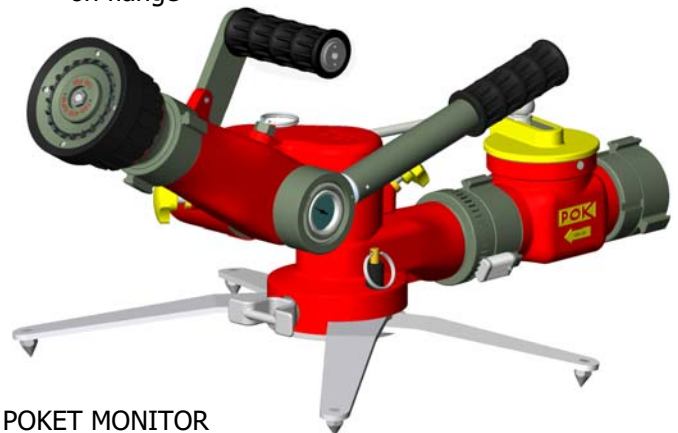
NOZZLE TIPS ARE NOT INCLUDED!!!



POKET MONITOR
with portable base



POKET MONITOR
on flange



POKET MONITOR
with oscillating attachment



POKET MONITOR
on ladder attachment

Code	Description	Weight	H	W	L
12697	POKET monitor with portable base	21 lb	21"	9"	26"
12900	POKET monitor with ladder attachment	30 lb	38"	9"	26"
12750	POKET oscillating attachment	28 lb	21"	9"	32"
18818	POKET with flange DN 65	22 lb	18"	9"	26"