

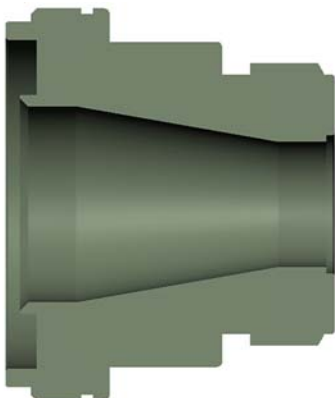


INTEGRATED SMOOTH BORE TIP

Hardcoat Anodized Aluminum and PTFE

Machined out of high-grade aluminum alloy with the trademarked NITUFF™ finish that gives 50 microns of Teflon impregnated anodized unlike the 20 microns of standard anodized, full concentric waterway and designed to reduce friction loss and turbulence.

Available for all POK 1 3/8" waterway shutoff. Eliminate the need for dual stacked tips, versatile fire stream management and maximum flow and reach.



Section view

Flow data are at 100 PSI / 7 Bar

Code	Description	Weight	FLOW	
			GPM	LPM
14734	Smooth bore 3/4"	0.64 lb	167	632
14735	Smooth bore 7/8"	0.66 lb	227	860
14736	Smooth bore 15/16"	0.68 lb	261	988
14737	Smooth bore 1.0"	0.70 lb	297	1124
14738	Smooth bore 1 1/8"	0.72 lb	376	1423

