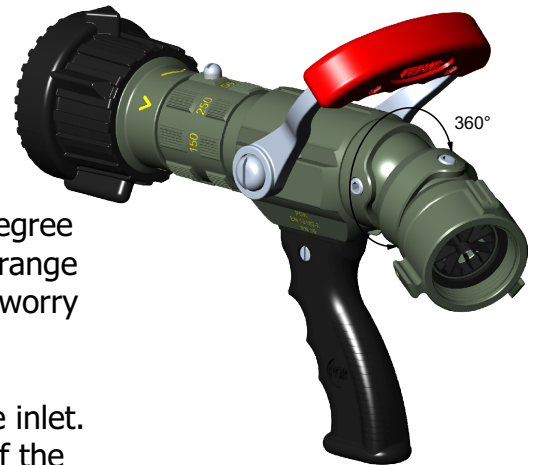


**SERPENT**  
 FLEXIBLE ELBOW for NOZZLES

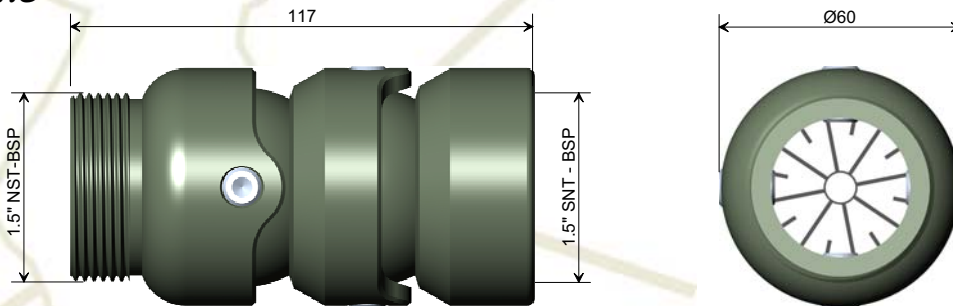


**Description**

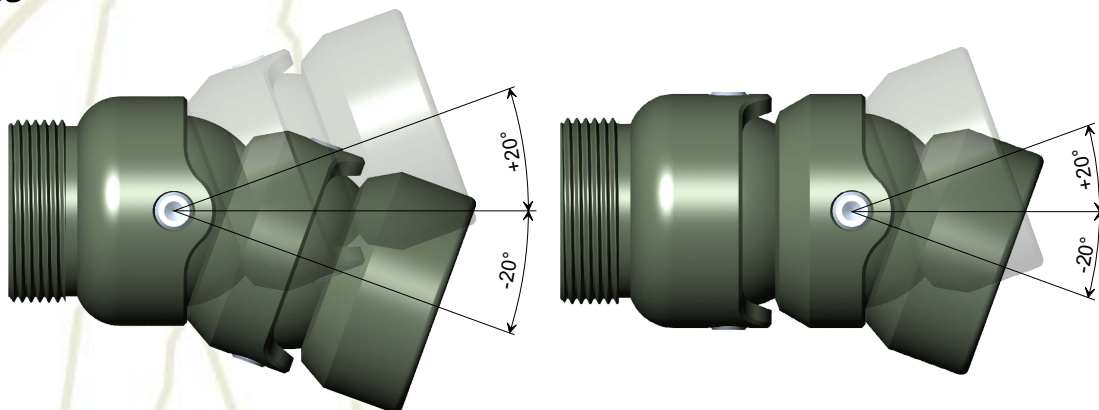
The new SERPENT coupling gives you a 40 degree sweeping range 360 degrees. This sweeping range allows for greater coverage area without the worry of hose kinks.

There is a stream shaper/screen built into the inlet. The 20 degree downward angle at the inlet of the nozzle also helps to reduce nozzle reaction force up to 15%. The SERPENT coupling is available installed on new 500 series nozzles, or can be ordered as a 1.5" inlet/outlet add on to nozzles already in service.

**Dimensions**



**Actions**



**Code**

Description	Code
1.5" M NST X 1.5" F NST	25865
1.5" Ball Grave X 1.5" F NST	25618
1.5" M BSP X 1.5" F BSP	25861